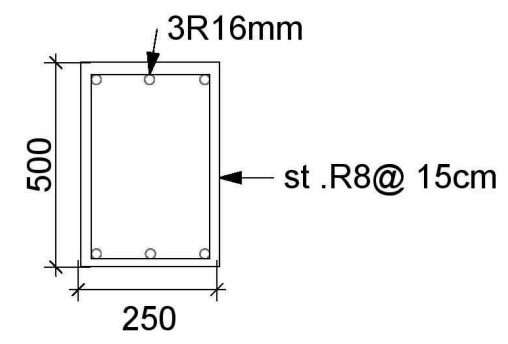


GREAD BEAM DETAILS



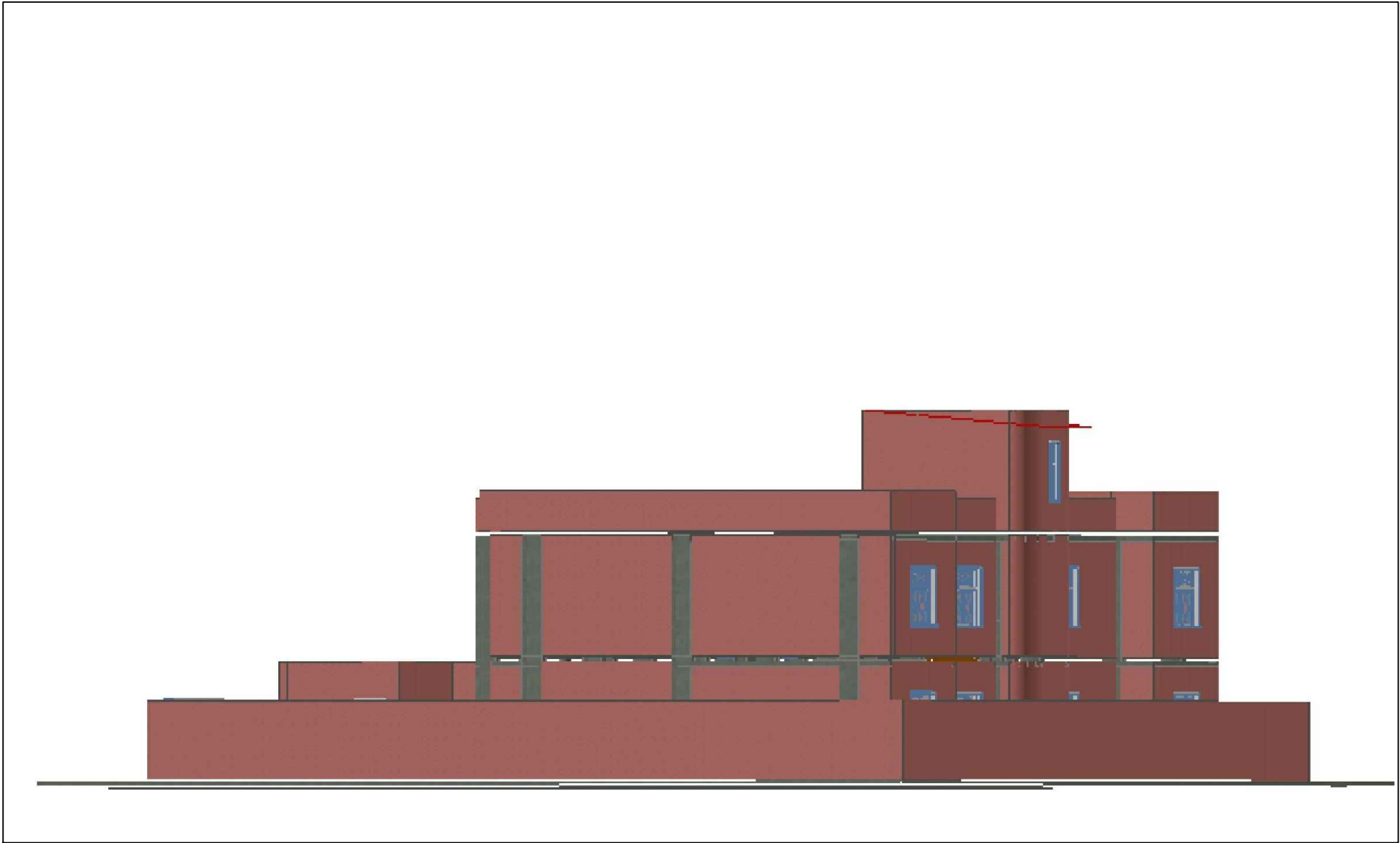
COLUMN DETAILS



COMMISSIONER OF REFUGEES OFFICE
 BEAMS & COLUMN DETAILS
 EAST SUDAN

DESIGNED AND PREPARED BY:
 HOSAMELDIN AHMED
 UNHCR PHYSICAL SITE PLANNING
 Date :
 05/09/2021

COORDINATES
 14° 2'9.72"N
 35°22'58.74"E

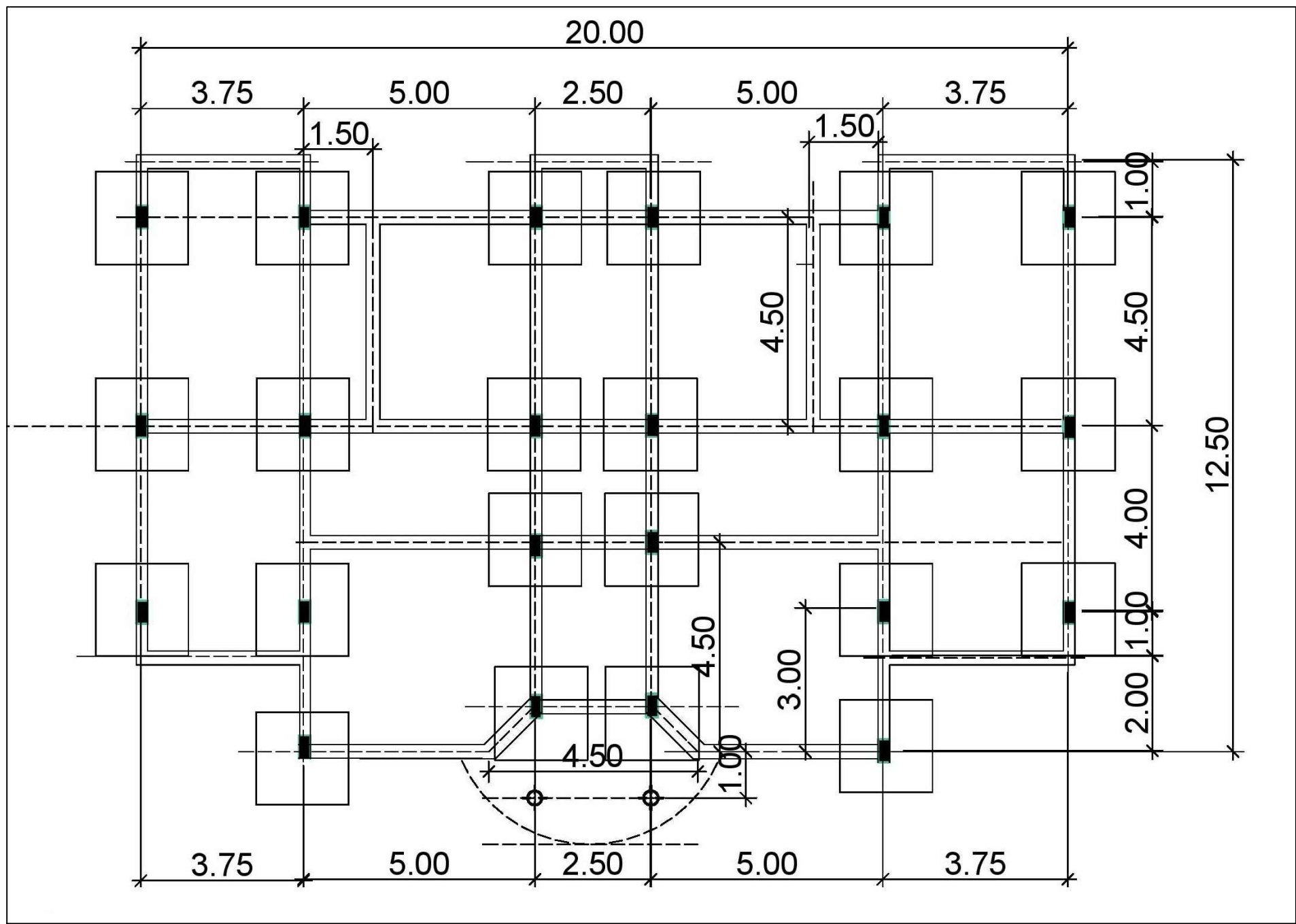


COMMISSIONER OF REFUGEES OFFICE
EAST ELEVATION
EAST SUDAN

DESIGNED AND PREPARED BY:
HOSAMELDIN AHMED
UNHCR PHYSICAL SITE PLANNING

Date :
05/09/2021

COORDINATES
14° 2'9.72"N
35°22'58.74"E

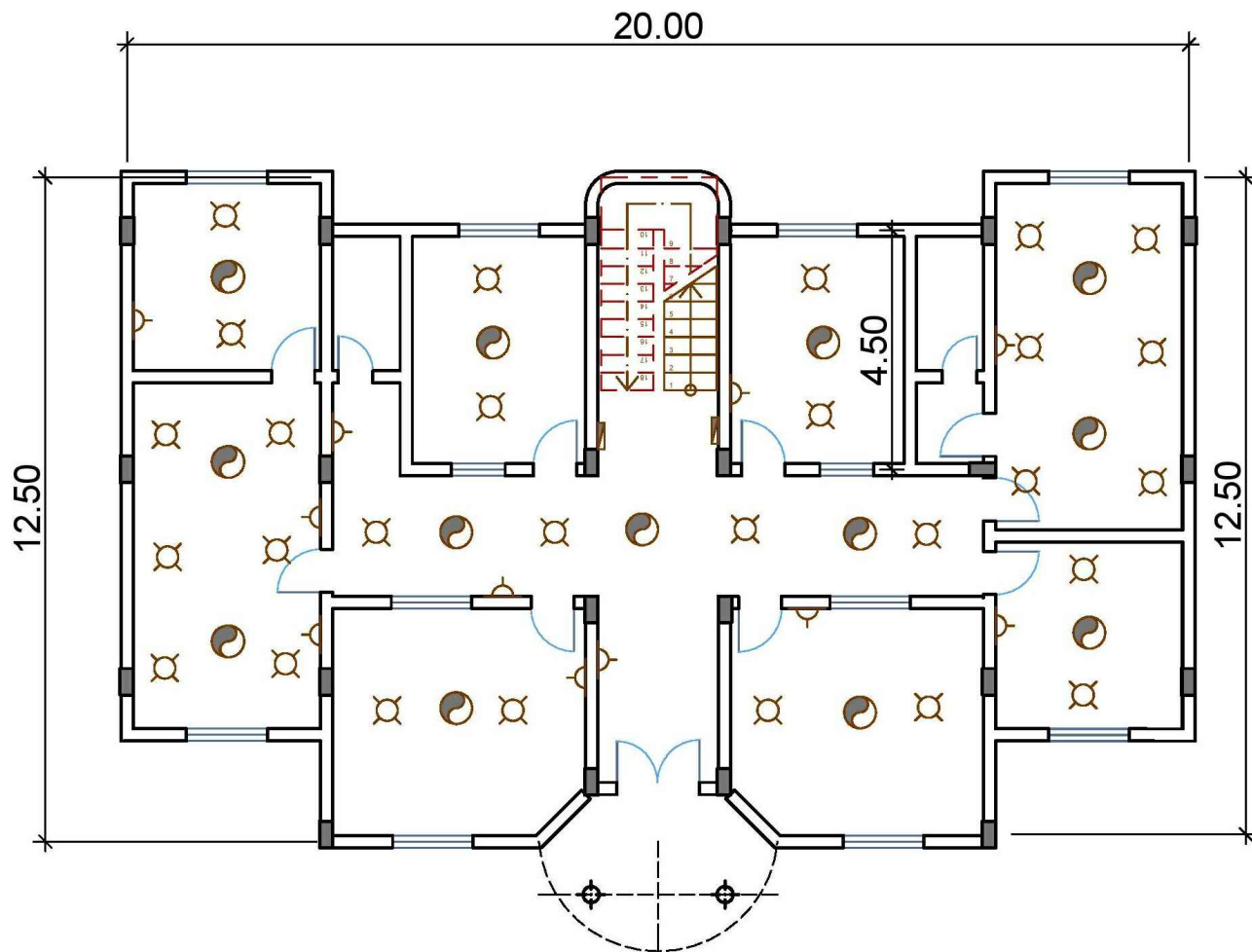


COMMISSIONER OF REFUGEES OFFICE
GROUND FLOOR BEAMS
EAST SUDAN

DESIGNED AND PREPARED BY:
HDSAMELDIN AHMED
UNHCR PHYSICAL SITE PLANNING

Date :
05/09/2021

COORDINATES
14° 2'9.72"N
35°22'58.74"E



Symbol	Description
	Ceiling Fan
	Ceiling Lamp
	Distribution Board
	10 AMP Socket
	25 AMP Socket

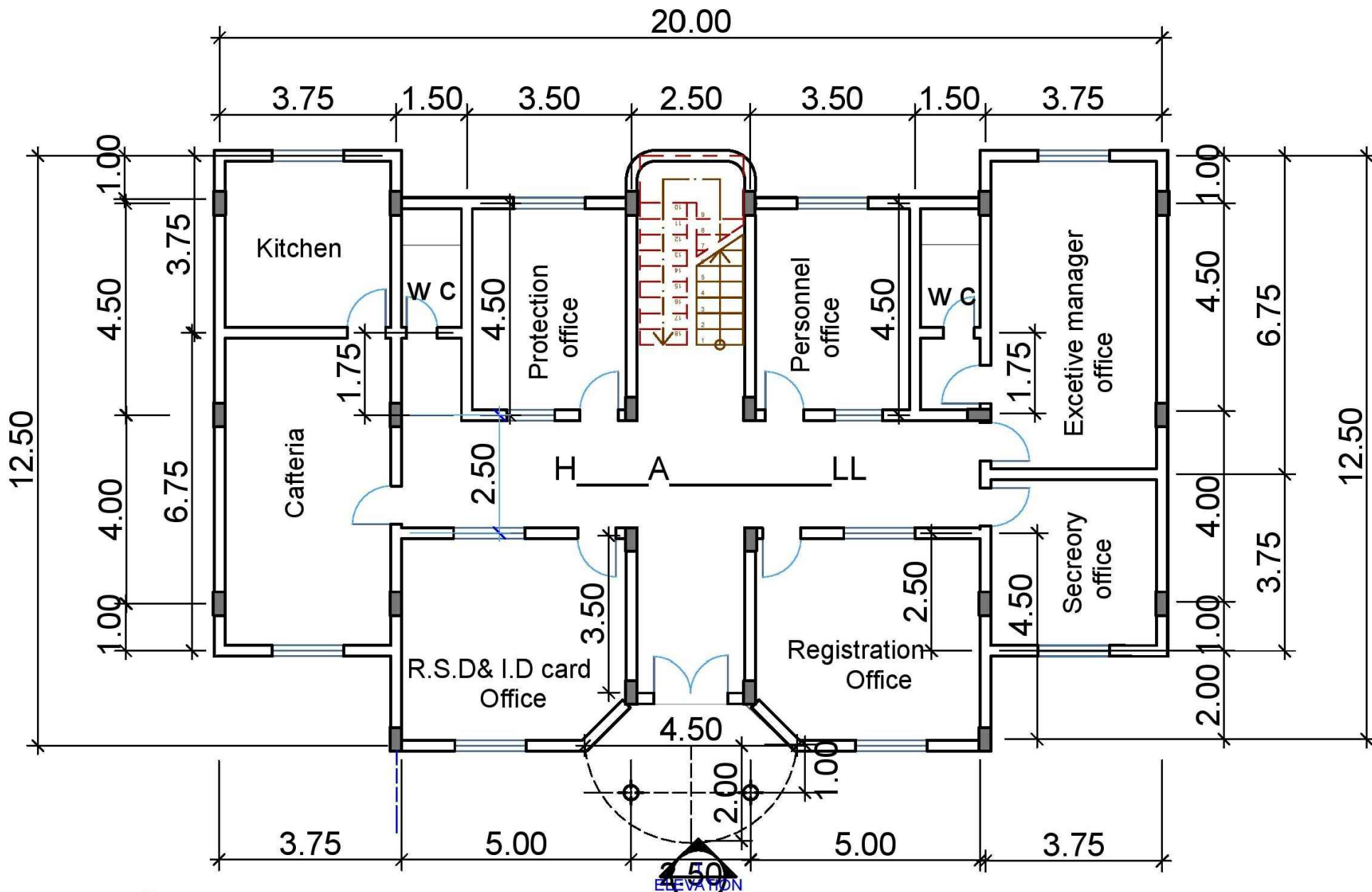
GROUND FLOOR PLAN



**COMMISSIONER OF REFUGEES OFFICE
GROUND FLOOR ELECTRICAL PLAN
EAST SUDAN**

DESIGNED AND PREPARED BY:
HOSAMELDIN AHMED
UNHCR PHYSICAL SITE PLANNING
Date :
05/09/2021

COORDINATES
14° 2'9.72"N
35°22'58.74"E



COMMISSIONER OF REFUGEES OFFICE
GROUND FLOOR PLAN
EAST SUDAN

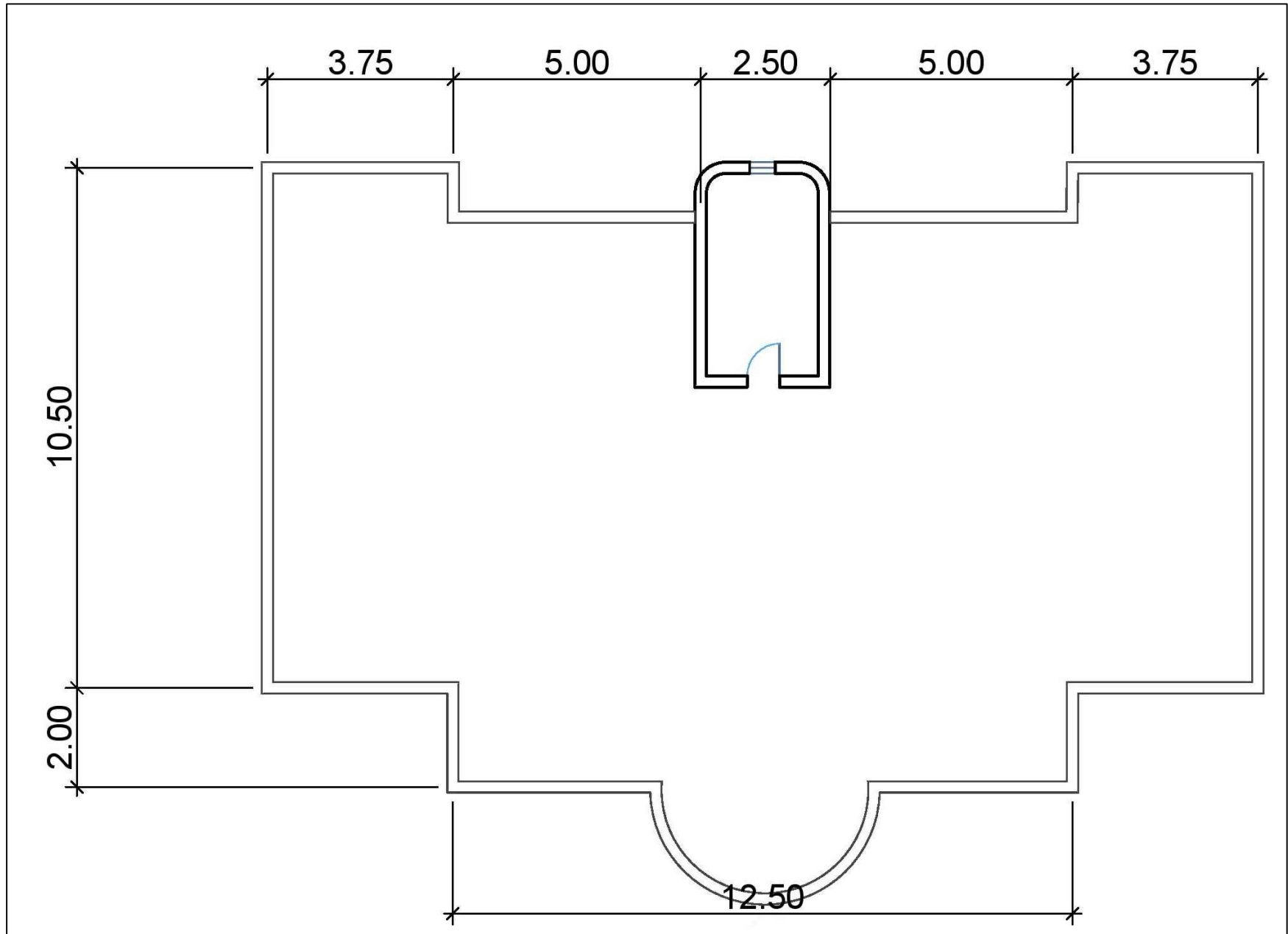
DESIGNED AND PREPARED BY:
HOSAMELDIN AHMED
UNHCR PHYSICAL SITE PLANNING

Date :
05/09/2021

COORDINATES

14° 2'9.72"N
35°22'58.74"E



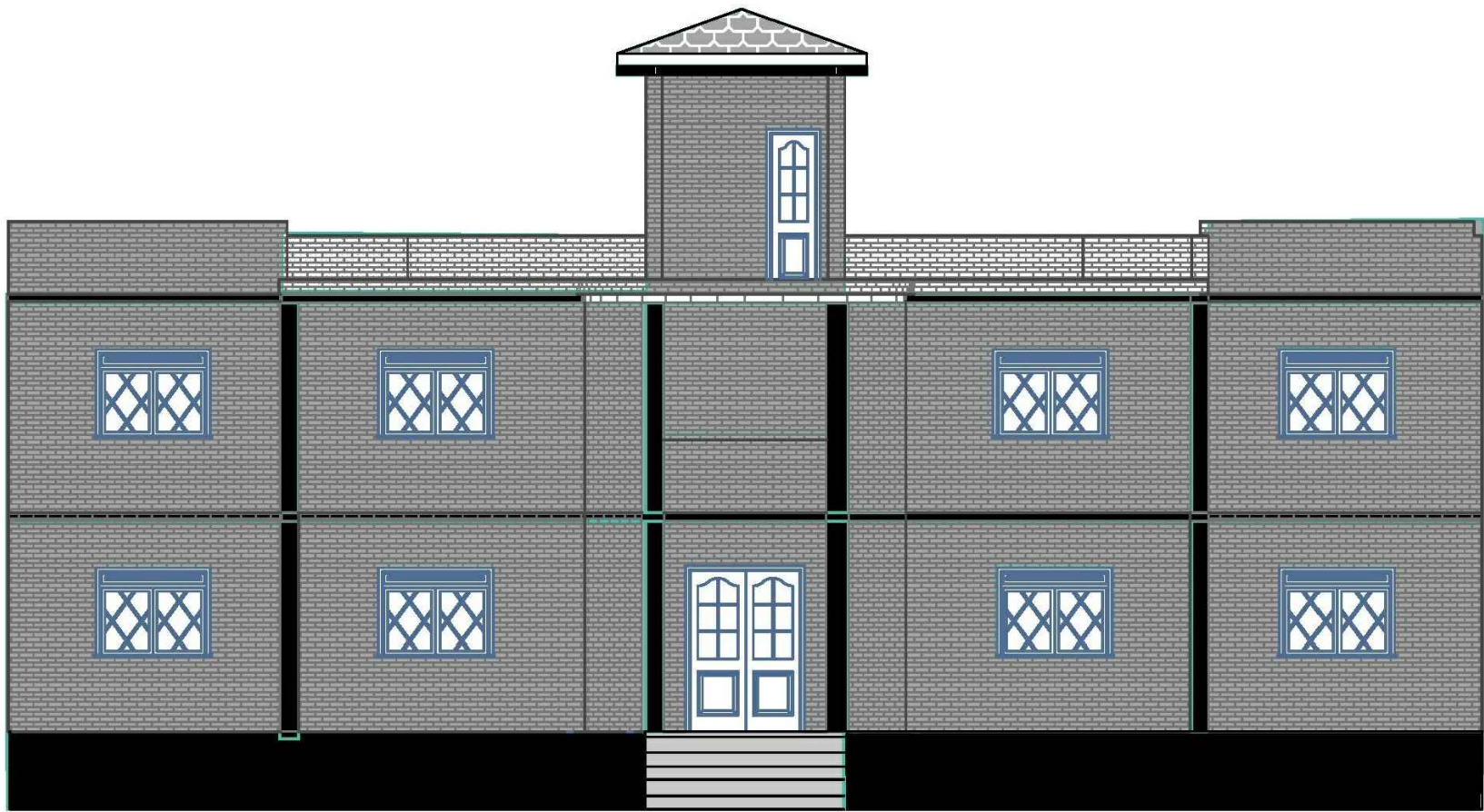


COMMISSIONER OF REFUGEES OFFICE
LAYOUT
EAST SUDAN

DESIGNED AND PREPARED BY:
HOSAMELDIN AHMED
UNHCR PHYSICAL SITE PLANNING

Date :
05/09/2021

COORDINATES
14° 2'9.72"N
35°22'58.74"E



MAIN ELEVATION

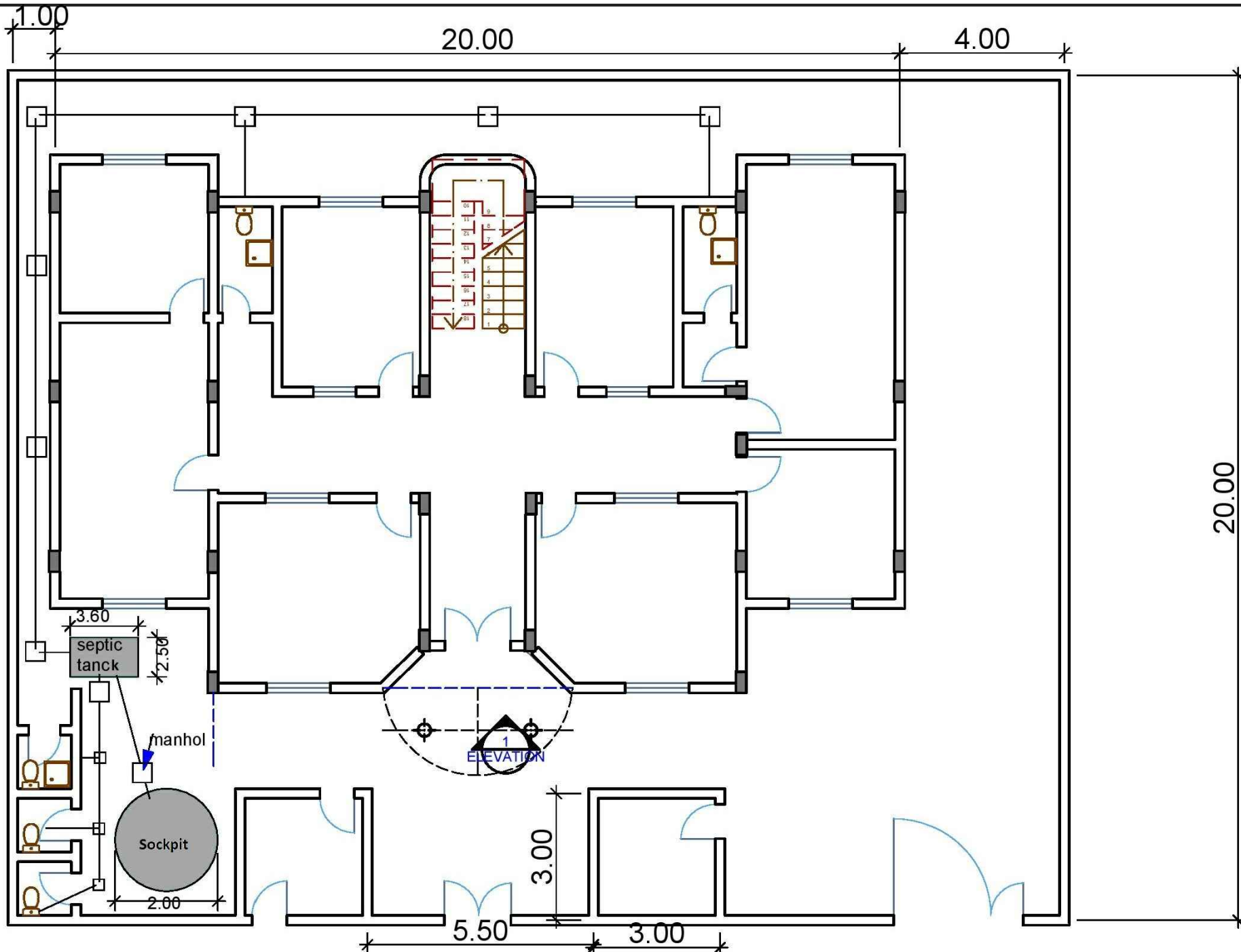


COMMISSIONER OF REFUGEES OFFICE
MAIN ELEVATION
EAST SUDAN

DESIGNED AND PREPARED BY:
HOSAMELDIN AHMED
UNHCR PHYSICAL SITE PLANNING

Date :
05/09/2021

COORDINATES
14° 2'9.72"N
35°22'58.74"E



COMMISSIONER OF REFUGEES OFFICE
SANITARY PLAN
EAST SUDAN

DESIGNED AND PREPARED BY:
HOSAMELDIN AHMED
UNHCR PHYSICAL SITE PLANNING

Date :
05/09/2021

COORDINATES
14° 2'9.72"N
35°22'58.74"E